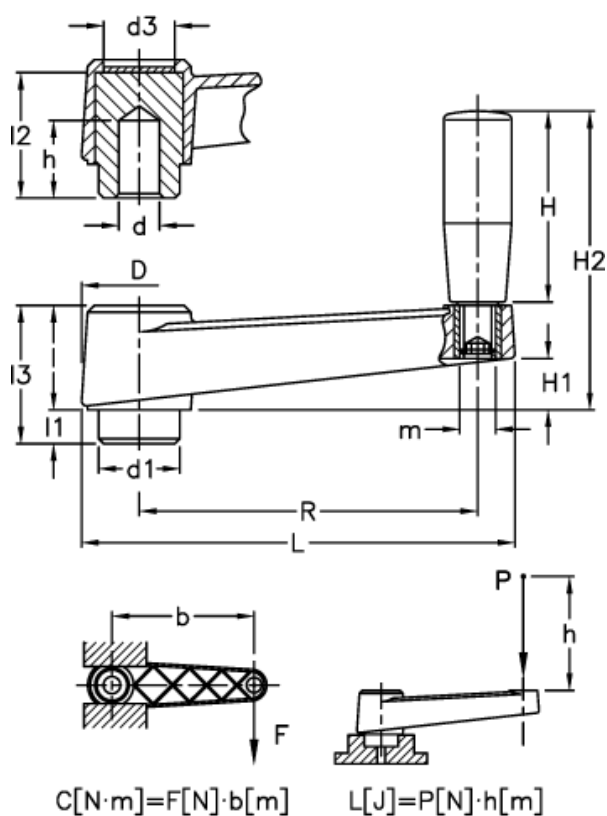


Article number: 2301044091
 Description: E+G Crank handle
 MT.64

Measures



C (N m) = 120	H2 = 63	R = 64
D = 27	l = 23	
d1 = 18	L = 86	
d3 = 16	L (J) = 11	
d H9 = 6	l1 = 10	
H = 40	l2 = 29	
h = 18	l3 = 33	
H1 = 10	m = M6	